



Lunar Bulkheads

IP65 D295

IP65

3H EM

5 YR

Tri-
Color



SAA

LM-79

60%
energy
saving

30,000
hours life

5
years
warranty

• Product Picture



• Features

- > IP65 & anti-UV plastic case
- > 5 years warranty ,EM battery : 3 years
- > 1W/3H EM at 10% lumen output

• Options

- > Color : Single color or Tri-color
- > Function: See the datasheet
- > Microwave sensor: 0% or 10%
- > Package: Standard pack or Color Box

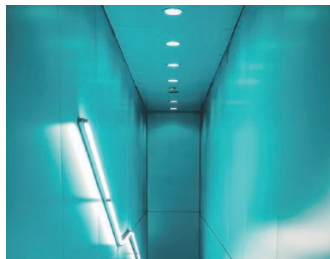
• Applications



Replacement for
2D fluorescent



Homes and houses



Stairs / corridors



Architectural lighting

• Data sheet

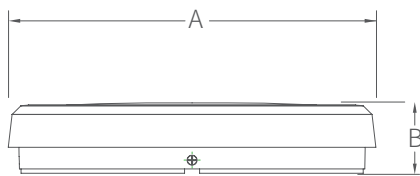
Item	Symbol	D=295	
Rated Power	W	14W	18W
Product Code	/	BH29-14GTR-LNF1B-00 / BH29-14GTR-LNF2M-00 BH29-14GTR-LNF3H-00 / BH29-14GTR-LNF4H-00	BH29-18GTR-LNF1B-00 / BH29-18GTR-LNF2M-00 BH29-18GTR-LNF3H-00 / BH29-18GTR-LNF4H-00
LED Type/Qty	SMD2835	192*2	
Lumen Efficacy	Lm/w	typ.100	
Luminous Flux	LM	typ.1400	typ.1800

• ErP Technical Specification

Item	Specification / Data	Item	Specification / Data
Color Index	Ra>80	Power factor	>0.95
Beam Angle	120 degree	Efficiency in	>93%
Color Temperature	Single Color or Tri-Color	Energy efficiency Class	A+ / A++
Dimming Function	STD / ON-OFF STD+ EM STD+MS STD+EM+MS	Standard deviation of color matching	<5
MS Function	10% Or 25% Brightness on Micro-wave sensor	Starting Time	<0.5S
EM time /LM	1W 3H	Warm-up time to 60%	<0.5S
LED current	Constant 50mA	Rated nominal Lifetime	>30,000 hours
Input Voltage	AC200~240V/50Hz	Lumen Maintenance at e.o.l.	>80%
Working Voltage	Constant DC27-42V	LED Device Lifetime	L80/B10@50,000 hours
Temperature	Operation:-15°C~+50°C,Storage:-25°C~+55°C	Switching Cycle before Failure	>10,000 times
Protection Class	IP65	Color consistency in level	Max. 6SDCM
Warranty	5 years warranty ,EM battery : 3 years	THD	<15%



• Dimension

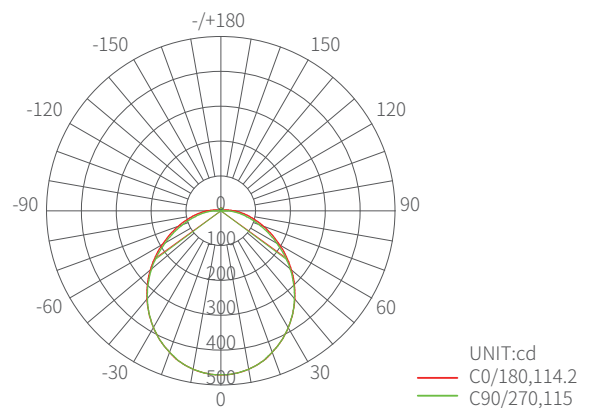


Product Name	A	B
Lunar Bulkheads	Ø295	57

Unit: mm

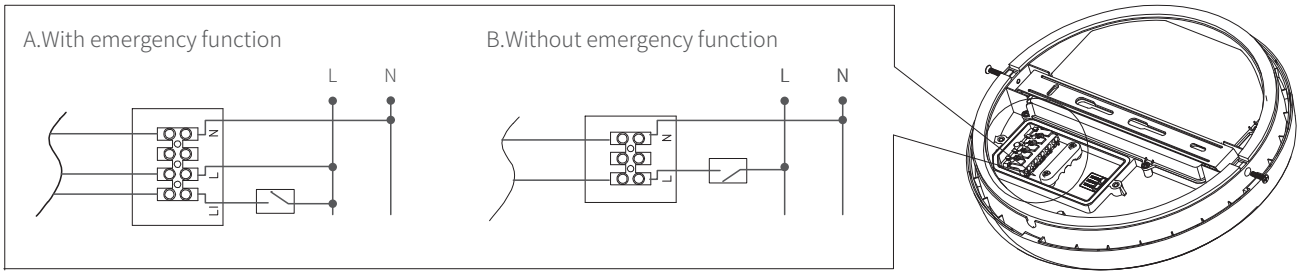
• Photometry Curve

AVERAGE BEAM ANGLE(50%): 114.6 DEG

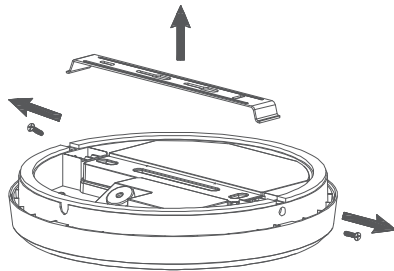


• Installation Instructions

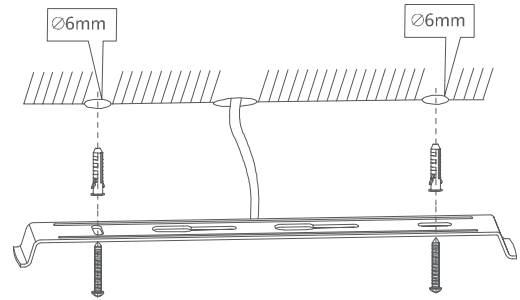
1. 2D Wiring Diagram



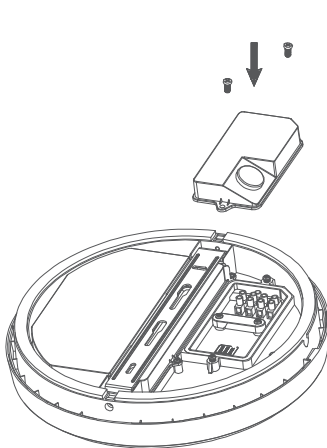
2. Installation steps



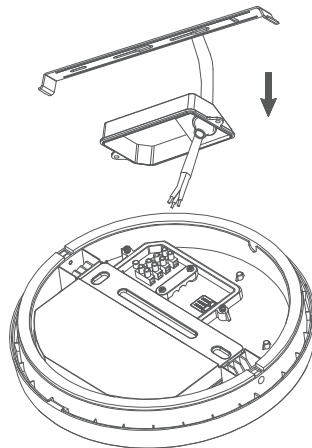
1). Remove the mounting bracket by almost completely loosening the screws on both sides of the casing.



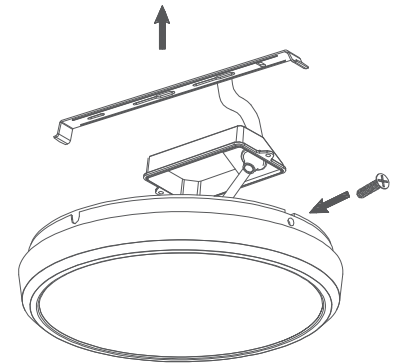
2). Fix the mounting bracket to the wall/ceiling.



3). Remove the cover of the terminal compartment (It's the smaller compartment).



4). Thread the AC mains cable through the rubber grommet and connect the wires to the terminal block.



5). Reinstall the terminal cover, mount the fixture onto the installed bracket and tighten the loosened screws.

• Package

Product Type	Rate Power	Inner Box	Outer Carton	Qty/Carton	Unit N.W	G.W/Carton
STD	14W/18W	305x67x305mm	625x360x325mm	10Pcs	1.25kg	12.5kg
STD+EMG	14W/18W	305x67x305mm	625x360x325mm	10Pcs	1.30kg	13.0kg
STD+MS	14W/18W	305x67x305mm	625x360x325mm	10Pcs	1.30kg	13.0kg
STD+EMG+MS	14W/18W	305x67x305mm	625x360x325mm	10Pcs	1.40kg	14.0kg

! CAUTION

- ※ In case of electric shock, please make sure the power is off before installation.
- ※ The lamp should be installed and operated by a qualified electrician or technician in accordance with relevant local codes.
- ※ Do not use sharp tools near or on the surface of the lamp.
- ※ Unpack and examine the product carefully. Report any damage and save all packing materials if any portion of the product was damaged during transportation.